

## 300 Series Faucets

### Features

Faucets are available with or without air gap  
 Highly-polished, chrome plated, brushed nickel  
 NSF-61, IAPMO Certificate  
 1/4" OD tube adapter  
 Pressure rating: 120psi

Part #	Air Gap	Case QTY	Finish
FLR-300CP-UP	NO	50	Chrome
FLR-300BN-UP	NO	50	Brushed Nic
FLR-301CP-UP	YES	50	Chrome
FLR-301BN-UP	YES	50	Brushed Nic

### Color Available:

Antique Wine (AW), Antique Brass (AB), Bright Golden (BG), Brushed Nickel (BN), Bright Black (BB), Chrome (CP), Ivory (IY), Oil Rubbed Bronze (ORB), Red (RD), Satin Nickel (SN), White (W).



FLR-300CP-UP

FLR-301CP-UP

## Ceramic Disk Faucets

### Features

Smooth operating ceramic disk design  
 Available air-gap, by special order  
 High Reach Neck design 12"  
 Available in popular colors  
 NSF-61 & IAPMO Certificate  
 1/4" OD tube adapter  
 Pressure rating: 120psi

Part #	Air gap	Case Qty	Finish
FLR-520CP-UP	NO	30	Chrome
FLR-520BN-UP	NO	25	Brushed Nic
FLR-808CP-UP	NO	20	Chrome
FLR-808BN-UP	NO	20	Brushed Nic

### \*Color Available:

Antique Wine (AW), Antique Brass (AB), Bright Golden (BG), Brushed Nickel (BN), Bright Black (BB), Chrome (CP), Ivory (IY), Oil Rubbed Bronze (ORB), Red (RD), Satin Nickel (SN), White (W).



FLR-520CP-UP

FLR-808CP-UP

RO Accessories  
 RO Systems  
 Water Softeners

## Puroflo faucets, where beauty, strength, and purity merge

Puroflo®

- Puroflo 100% Lead Free Faucet Line
- Available in 6 modern designs
- Superior quality, competitive pricing
- Exquisite finishes add beauty to any home
- Certified to NSF/ANSI 61-G (AB-1953)

NSF®

Certified to  
NSF/ANSI 61-G  
& NSF/ANSI 372

RO Accessories

RO Systems

Water Softeners

### Features:

- Uses certified plastics in sections that have contact with water.
- Automated manufacturing ensures consistent quality.
- Competitive prices.
- Weighs less than brass.
- Warranty: 2 years
- All faucet spouts swivel 360 degrees.
- Mounting hardware included.
- Available in various finishes.
- Air gap available on some faucets.

### Operating data:

- Pressure(Max): 125 PSI/8.6 BAR
- Flow Rate: 1.0 gpm/3.785 lpm at 35PSI/2.3 BAR
- Temperature: 4°C/40°F to 70°C/158°F
- 50,000 cycle tested





The air gap faucet ensures that no cross-connection between the potable water and waste system can occur maintaining the safety of the water supply and your water treatment system.

**Non Air Gap**

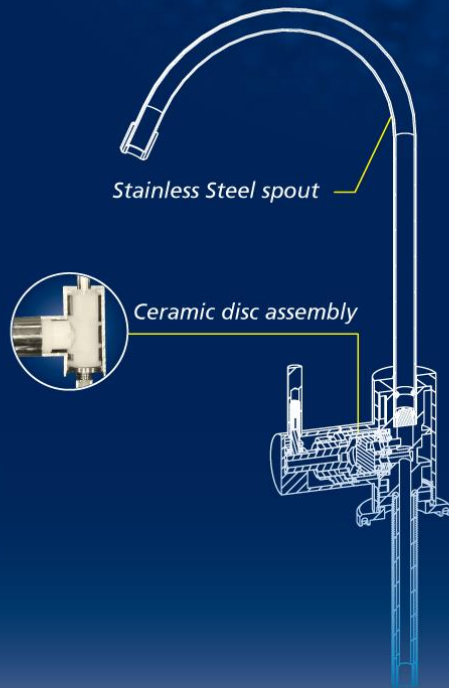
Part#	Color	Case Qty	Box Size	Wt. (lbs)
FLR-133PSCP	Chrome	30	23"x13"x15"	28.7
FLR-522PSAB	Antique Brass	30	29"x11"x16"	32.0
FLR-522PSBN	Brushed Nickel	30	29"x11"x16"	32.0
FLR-522PSBB	Bright Black	30	29"x11"x16"	32.0
FLR-522PSBG	Bright Gold	30	29"x11"x16"	32.0
FLR-522PSCP	Chrome	30	29"x11"x16"	32.0
FLR-522PSORB	Oil Rubbed Bronze	30	29"x11"x16"	32.0
FLR-522PSST	Satin Nickel	30	29"x11"x16"	32.0
FLR-522PSW	White	30	29"x11"x16"	32.0
FLR-606PSCP	Chrome	30	23"x13"x15"	28.7
FLR-663PSCP	Chrome	30	23"x13"x15"	26.5
FLR-828PSCP	Chrome	20	29"x9"x16"	24.3
FLR-868PSCP	Chrome	40	25"x14"x14"	33.1

**Air Gap**

Part#	Description	Case Qty	Box Size	Wt. (lbs)
FLR-133PSCP-AG	Chrome, air gap	32	30"x16.7"x12.6"	37.3
FLR-522PSCP-AG	Chrome, air gap	24	30"x16.7"x12.6"	32.0
FLR-606PSCP-AG	Chrome, air gap	32	30"x16.7"x12.6"	35.5
FLR-663PSCP-AG	Chrome, air gap	32	30"x16.7"x12.6"	33.5
FLR-828PSCP-AG	Chrome, air gap	20	30"x16.7"x12.6"	29.8

\*All faucets are available in any finish, minimum order quantities may apply. FLR-522 non air gap models normally stocked in every finish.

Antique Brass(AB), Brushed Nickel (BN), Bright Black (BB), Bright Gold (BG), Chrome (CP), Oil Rubbed Bronze (ORB), Satin Nickel (ST), White (W)



RO Accessories

RO Systems

Water Softeners

